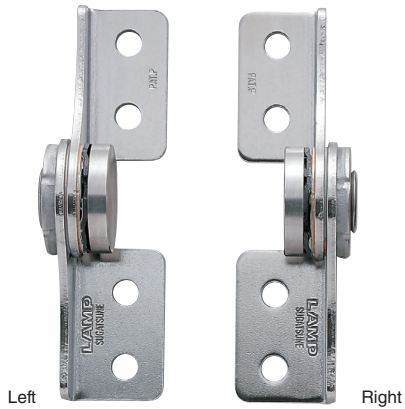


TORQUE HINGE WITH HOLE

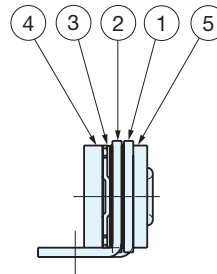
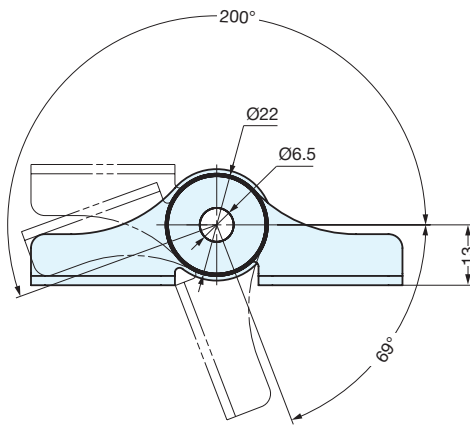
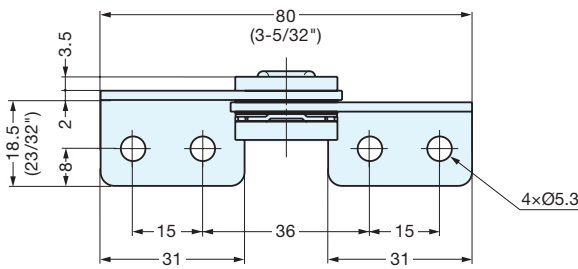
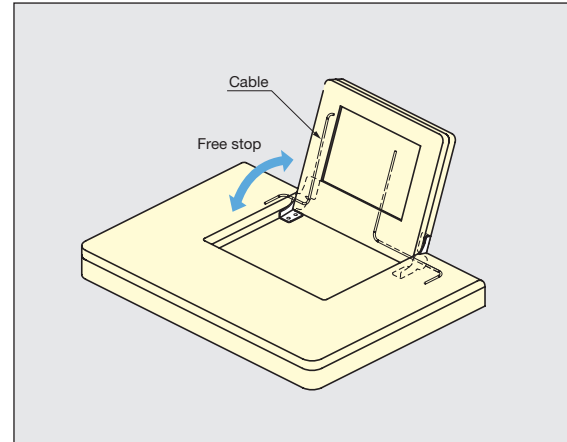
STAINLESS
430
STEEL

HG-TA45H

- Hole in the hinge knuckle allows easy cable management.
- Ideal for holding LCD displays or positioning cameras.
- Successfully passed 50,000 open/close private cycle test.
- Operating temperature: 0°C~40°C (32°F~104°F)



Application Example



No.	Part Name	Material	Finish
①	Bracket	430 Stainless Steel	Mirror
②	Base		
③	Plate	Steel	-
④	Shaft	303 Stainless Steel	
⑤	Washer	430 Stainless Steel	Mirror

Item No.	Type	Torque Moment (per piece)	Weight (g)	Box (pcs)	Carton (pcs)
HG-TA45HR	Right	45.9 ^{+20%} kgf·cm (39.8 lbs-in)	60	20	160
HG-TA45HL	Left				